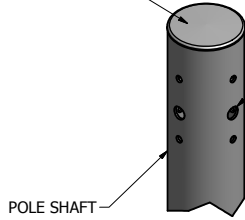


POLE SHAFT SPECIFICATIONS					
NO.	COMPONENT		MAT'L DESIGNATION		
1.	POLE SHAFT		6063-T6		
2.	BASE PLATE		A356-T6		
3.	ANCHOR BOLTS		F1554 GR. 55		
4.	GALVANIZED HARDWARE		A153		
POLE DIMENSIONS					
POLE HGT. (FT.)	TOP DIA. (IN.)	BOTTOM DIA. (IN.)	GAGE	MTG. HGT. (FT.)	
20'	5.00	5.00	.188	20'	
BASE PLATE DIMENSIONS					
BOLT CIRCLE (IN.)	BASE PLATE DIM. (IN.)		BOLT HOLE (IN.)	PLATE THK. (IN.)	
7.75	10.62 DIA.		.88	.75	
ANCHOR BOLT DIMENSIONS					
ANCHOR BOLT DIA. (IN.)			ANCHOR BOLT LENGTH (IN.)		
.75			20.00		
ALLOWABLE WIND LOADING (SQ. FT.)					
WIND*	INDICATED EPA	80 MPH	90 MPH	100 MPH	120 MPH
EPA	-	9.8	7.3	5.3	3.3

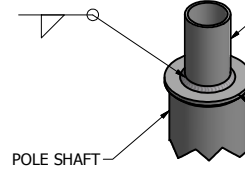
\*WITH 1.3 GUST FACTOR

REMOVABLE CAP



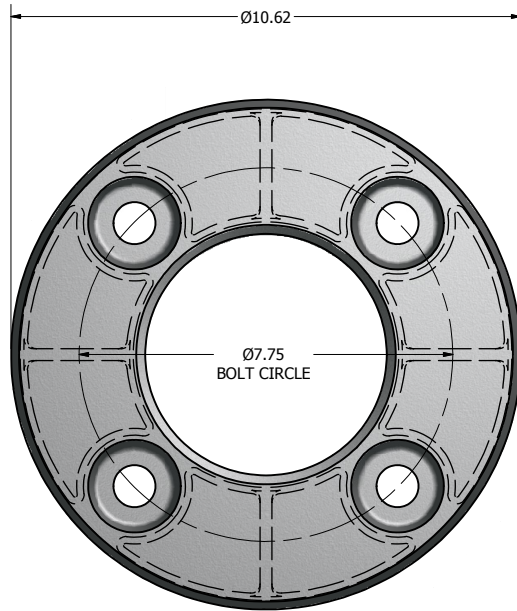
DRILLED PER FIXTURE REQUIREMENTS:  
D1- DRILLED FOR 1 FIXTURE  
D2- DRILLED FOR 2 FIXTURES AT 90° OR 180°  
D3- DRILLED FOR 3 FIXTURES AT 90° OR 120°  
D4- DRILLED FOR 4 FIXTURES

### DRILL MOUNT OPTIONS

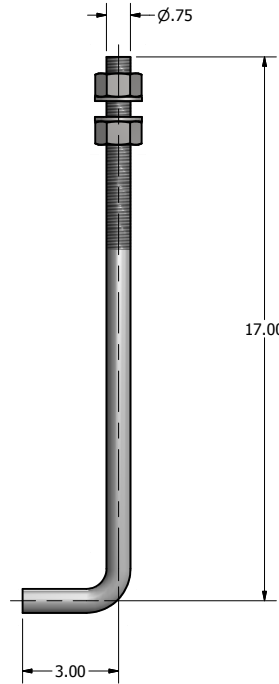


TENON MOUNT OPTIONS:  
T2- Ø2.38 X 4.00 LG  
T3- Ø3.00 X 5.00 LG  
T4- Ø4.00 X 6.00 LG

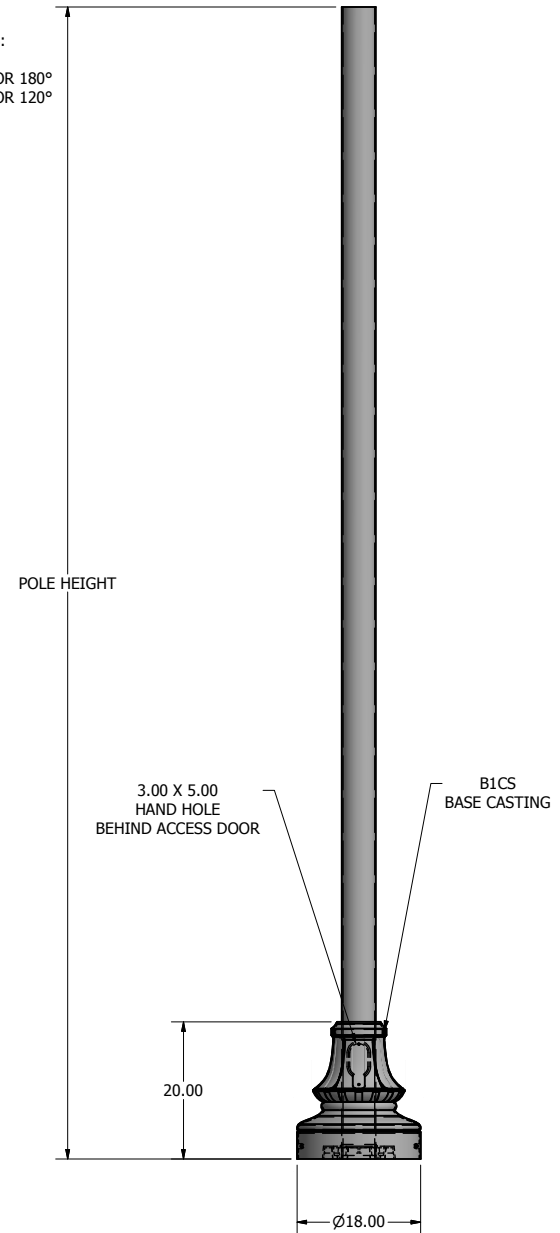
### TENON MOUNT OPTIONS



Ø10.62 X 1.88 THK. BASE CASTING



Ø.75 X 20.00 ANCHOR BOLT



POLE DETAIL

**lyte poles**  
a DWM company

P.O. Box 340  
Eastpointe, MI 48021  
P: (586) 771-4610 | F: (586) 771-5527  
www.lytepoles.com

DRAWN: L. GRUNIS	3/17/2015
CHECKED:	
REVISION:	DATE:
APPROVED:	
QUOTE:	
S.O.#	
REF:	SCALE: NONE

SOME GEOGRAPHICAL AREAS HAVE SPECIAL WIND CONDITIONS THAT CAN CREATE WIND INDUCED VIBRATIONS CAUSING A FATIGUE PROBLEM. NO METHOD HAS YET BEEN FOUND FOR PREDICTING DESTRUCTIVE LIGHTING POLE VIBRATION. THESE CONDITIONS ARE UNIQUE AND CANNOT BE GUARANTEED AGAINST, AND ARE THE RESPONSIBILITY OF A LOCAL SITE ENGINEER.	
TITLE:	
CATALOG:	
DWG NO: 205-5018-20-B1CS	SIZE C
SHEET 1 OF 1	

